



Features

- Optional CPU Intel Celeron Quad-core/Core i3
- 10 points touch screen
- Optional RAM and SSD
- Optional windows/ubuntu OS
- Can be embedded or vesa mount
- Apply for Digital Signage/KIOSK/Queuing System

Introduction

A15 is a compact touch panel pc equipped with Optional CPU, RAM and SSD, 15.6" Industrial LED display and multi-touch glass sensor. It is designed with IP65-rated front panel and back cover that protects against water and dust ingress. A15 panel pc supports various OS including Linux and Windows to ensure easy deployment for diverse applications, which makes it ideal for POS, Digital signage, KIOSK Terminal.

Specification

General	
- Certification	CE, FCC, ROHS, ISO
- Dimensions	391*276*51 mm
- Power Input	AC100-240V.50-60HZ
- Power Output	DC12V 2A~5A
- Mount Options	Wall Mount/Embedded Vesa Mount/Vertical Stand
- Weight (Net)	6kg

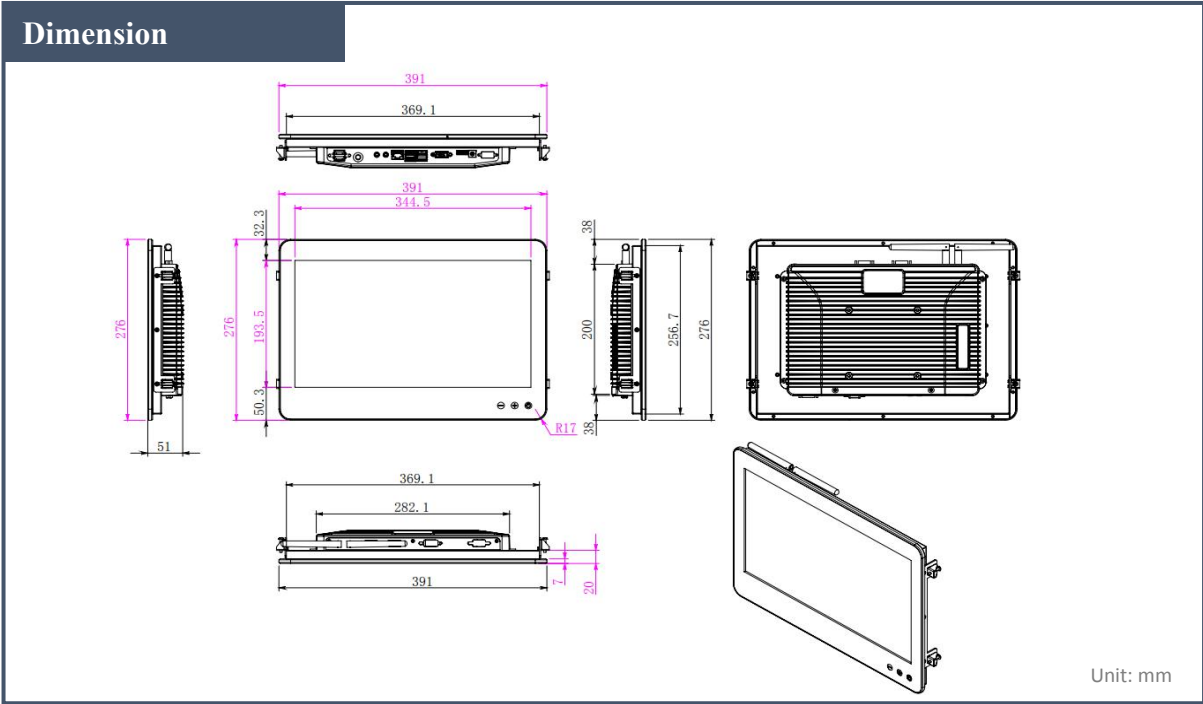
System Kernel	
- CPU	Intel Celeron Quad-core Intel Core i3
- Memory	DDR3 2GB/4GB/8GB
- SSD	16/32/64/128/256/512GB
- OS Support	Windows/Ubuntu

Interface (Depends on the motherboard)	
- Standard	1*12V DC JACK input, 1*VGA, 1*HDMI, 1*Audio input & output 4*USB (Upgradable) 1*RJ45 (Upgradable) 1*RS232 (Upgradable)
- Optional I/O	RS485, LPT, Phoenix terminal (Replace DC)
- Optional peripherals	Camera, SPK, Sensor, NFC, RFID, Fingerprint recognition module

LED Display	
- Interface Type	EDP
- Panel size	15.6"
- Max. Resolution	1920*1080
- Max. Colors	16.7M
- Treatment	Anti-Glare
- Brightness	350nits
- Viewing Direction	Full Viewing
- Aspect Ratio	16:9

Touchscreen	
- Touch Points	10 Points
- Type	Capacitive Touch

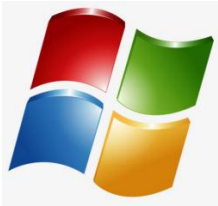
Environment	
- Operation Temperature	-20 ~ 70°C
- Storage Temperature	-10 ~ 60°C
- Operation Humidity	10% ~ 80%
- Storage Humidity	10% ~ 90%



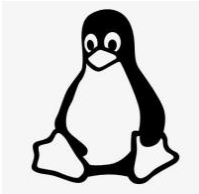
Product Picture



Embedded OS



Windows



Linux