



Features

- Optional CPU Intel Celeron Quad-core/Core i3
- 10 points touch screen
- Optional RAM and SSD
- Optional windows/ubuntu OS
- Can be embedded or vesa mount
- Apply for Digital Signage/KIOSK/Queuing System

Introduction

A2 is a compact touch panel pc equipped with Optional CPU, RAM and SSD, 21.5" Industrial LED display and multi-touch glass sensor. A2 panel pc support various OS including Linux and Windows to ensure easy deployment for diverse applications, rich interface to support different usage scenarios, which makes it ideal for POS, Digital signage, KIOSK Terminal.

Specification

General	
- Certification	CE,FCC,ROHS,ISO
- Dimensions	534*325*52.6 mm
- Power Input	AC110-240V.50-60HZ
- Power Output	DC12V 3A~5A
- Mount Options	Wall Mount/Embedded Vesa Mount/Vertical Stand
- Weight (Net)	9kg

System Kernel	
- CPU	Intel Celeron Quad-core Intel Core i3
- RAM	DDR3 2GB/4GB/8GB
- SSD	16/32/64/128/256/512GB
- OS Support	Windows/Ubuntu

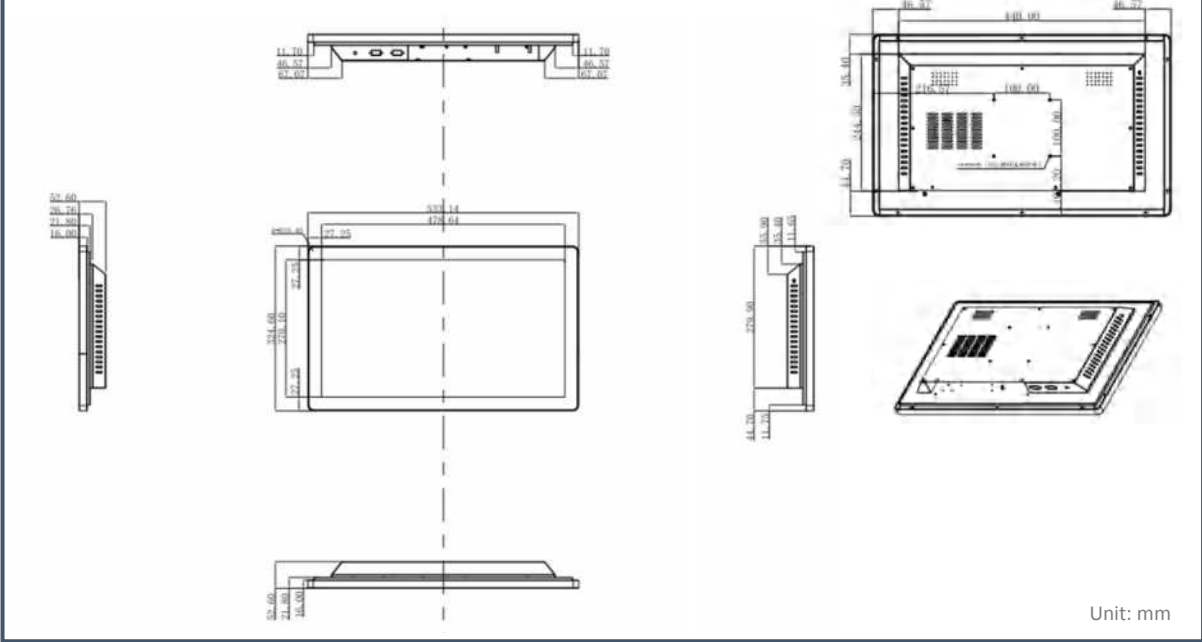
Interface	
- Standard	1*12V DC_JACK input, 1*VGA,1*HDMI, 1*Audio input& output 4*USB(Upgradable) 1*RJ45(Upgradable) 1*RS232(Upgradable)
- Optional I/O	RS485, LPT, Phoenix terminal(Replace DC)
- Optional peripherals	Camera, SPK, Sensor, NFC, RFID, Fingerprint recognition module

LED Display	
- Interface Type	LVDS
- Panel size	21.5"
- Max. Resolution	1920*1080
- Max. Colors	16.7M(8-bit)
- Treatment	Anti-Glare
- Brightness	250nits
- Viewing Direction	Full Viewing
- Aspect Ratio	16:9

Touchscreen	
- Touch Points	10 Points
- Type	Capacitive Touch

Environment	
- Operation Temperature	-10~ 60°C
- Storage Temperature	-10 ~ 60°C
- Operation Humidity	10% ~ 80%
- Storage Humidity	10% ~ 90%

Dimension



Product Picture



Embedded OS



Windows



Linux