

X8-RK3568 F14H

RK3568
Edge Gateway

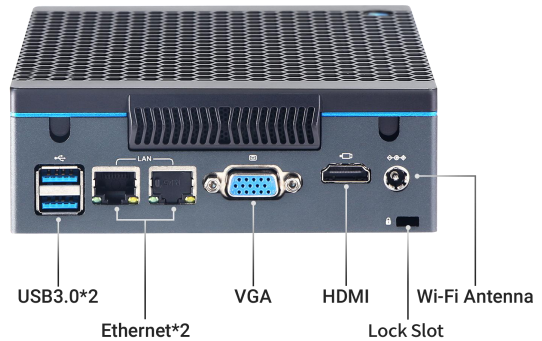
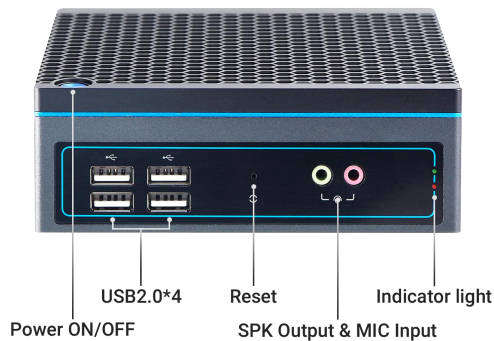


Product Features

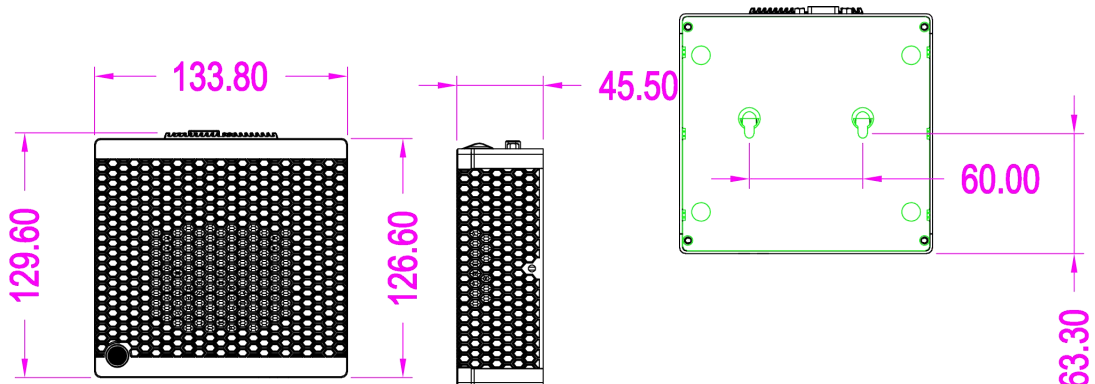
- Quad-core ARM Cortex-A55, with a clock speed of up to 2.0GHz per core
- Mali-G52 GPU, supports OpenGL ES 3.2
- Built-in 0.8 TOPs AI-accelerated Neural Network Processing Unit
- Widely used in industrial control, edge computing, cloud desktop, and other fields



Interface Layout



Product Dimension



System	SOC	Cortex-A55
	CPU	RK3568
	NPU	1TOPS
	Memory	2GB LPDDR4
	Storage & Expansion	16GB eMMC
Video	GPU	ARM G52 2EE, supports OpenGL ES 1.1/2.0/3.2, OpenCL 2.0, Vulkan 1.1 Built-in high-performance 2D acceleration hardware
	Hardware Codec	Supports 4K 60fps H.265/H.264/VP9 video decoding Supports 1080P 60fps H.265/H.264 video encoding Supports 8M ISP and HDR
	Display Interfaces	1 × HDMI 2.0, supports 4K@60fps output VGA maximum resolution: 1920×1080@60Hz
Network	Ethernet	Dual Gigabit Ethernet (RJ45, 1000 Mbps, supports expansion)
	Wireless Network	Supports Wi-Fi + Bluetooth module (M.2 PCIe, optional)
I/O	USB	2 × USB 3.0, 4 × USB 2.0
	RS232	Not supported
	Audio	AUX 3.5mm headphone output + AUX 3.5mm microphone input
	SIM	Not supported
Others	Watchdog	Optional
	RTC	Supported
Power Input	Power Input	DC 12V-2A
	Buttons/Indicators	Supported
Physical Parameters	Chassis Dimensions	134 mm × 126 mm × 45 mm (5.28 in × 4.96 in × 1.77 in)
	Package Dimensions	250 mm × 190 mm × 60mm (9.84 in × 7.48 in × 2.36 in)
	Net Weight	0.4 kg (0.88 lbs)
	Gross Weight	1.0 kg (2.2 lbs)
Software	Operating System	Android 11, Ubuntu 20.04, Kylin V10
Environment	Operating Temperature	-10~40°C (14~104°F)
	Storage Temperature	-10~40°C (14~104°F)
	Operating/Storage Humidity	0~85% RH (non-condensing)
	Safety Certifications	CCC, CE, ISO

Product Model	SOC	Memory	Flash	LAN	RS485	RS232	HDMI	WiFi	TF	SIM
X8	RK3568	2GB LPDDR4	16GB eMMC	2	0	0	1	Optional	0	0

■ Packing List

Accessories	Description
Power Adapter	DC 12V-2A
WiFi Antenna	None (built-in antenna)
VESA Mount Kit	Wall mount *1, accessory screw pack *1
User Manual	Universal version *1
Certificate of Compliance	Universal version *1

■ Optional Accessories

Accessories	Description
128GB eMMC	Customizable
256GB eMMC	Customizable
512GB eMMC	Customizable