

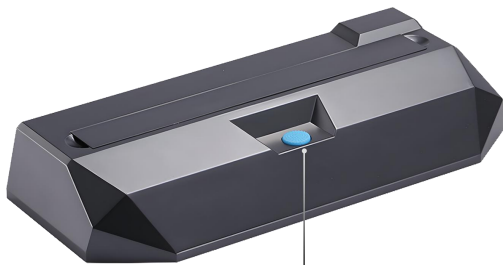


Product Features

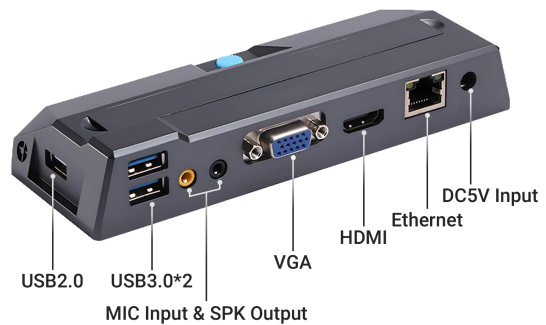
- Cortex-A9 Quad-core Architecture, with a theoretical maximum frequency of 1.8GHz
- Supports the latest RDP protocol, compatible with Windows 7 / Windows 10 / Windows 11



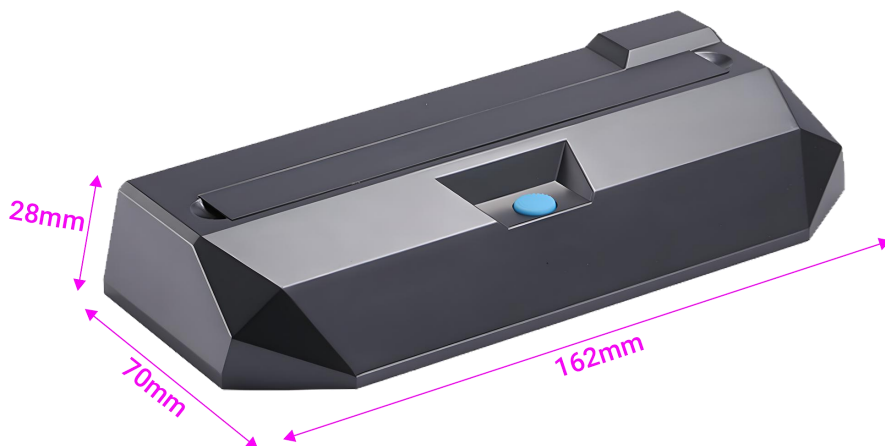
Interface Layout



Power ON/OFF



Product Dimension



System	SOC	Mali-400MP4
	CPU	RK3188
	Memory	256MB
	Storage & Expansion	2GB
Video	GPU	Mali-400 MP4
	Hardware Codec	Supports 1080P video decoding Supported video decoding formats: H.264, VC-1, MPEG1/2/4, VP8
	Display Interfaces	1 × HDMI 2.0, resolution: 1920×1080 1 × VGA, resolution: 1920×1080
Network	Ethernet	RJ45 / 1000M
	Wireless Network	Optional
I/O	USB	USB 3.0 *2 USB 2.0 *1
	RS232	Not supported
	Audio	AUX 3.5mm headphone output / microphone input
	SIM	Not supported
Others	Watchdog	Not supported
	RTC	Not supported
Power Input	Power Input	DC 5V-2A
	Buttons/Indicators	Supported
Physical Parameters	Chassis Dimensions	162 mm × 70 mm × 28 mm (6.38 in × 2.76 in × 1.10 in)
	Device Box Dimensions	180mm × 75 mm × 35mm (7.09 in × 2.95 in × 1.38 in)
	Power Adapter Box Dimensions	75 × 120 mm × 50mm (2.95 in × 4.72 in × 1.97 in)
	Net Weight	0.10 kg (0.22 lbs)
	Gross Weight	0.46 kg (1.01 lbs)
Software	Operating System	RDP 8.1 / Windows 7 / Windows 10/ Windows 11
Environment	Operating Temperature	-10~40°C (14~104°F)
	Storage Temperature	-10~40°C (14~104°F)
	Operating/Storage Humidity	0~85%RH (Non-condensing)
	Safety Certifications	CCC, CE, ISO

Product Model	SOC	Memory	Flash	LAN	RS485	RS232	HDMI	WiFi	TF	SIM
R1 Plus	RK3188	256MB	2GB	1	0	0	1	Optional	0	0

■ Packing List

Accessories	Description
Power Adapter	DC 5V-2A
WiFi Antenna	SMA *1(Supports Wi-Fi function, optional)
VESA Mount Kit	Screw pack *1
User Manual	Manual *1
Certificate of Compliance	Universal *1

■ Optional Accessories

Accessories	Description
128GB eMMC	Customizable
256GB eMMC	Customizable
512GB eMMC	Customizable