

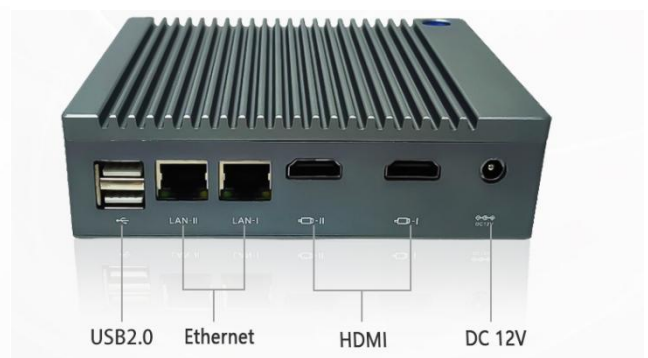
■ Interface Layout



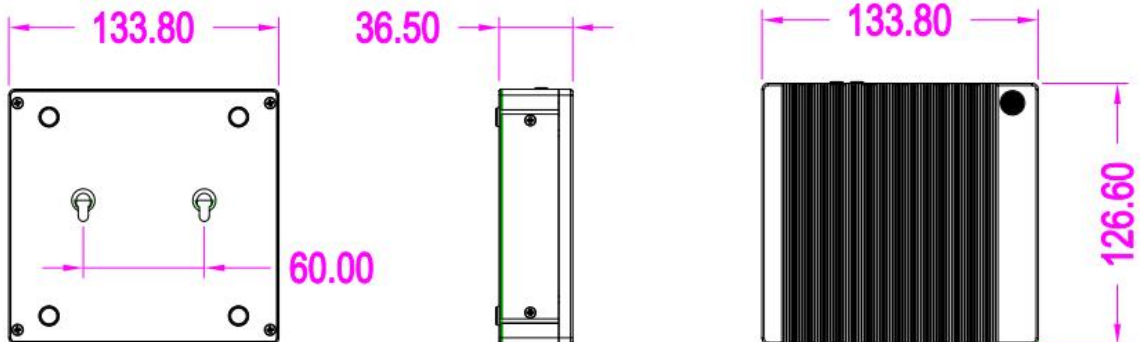
Product Features

- 8nm advanced manufacturing process, 8-core 64-bit architecture, delivering high performance and low power consumption.
- Equipped with ARM Mali-G610 MC4 GPU and a dedicated 2D graphics acceleration module.
- 6TOPS NPU, empowering various AI scenarios.
- Capable of 8K video encoding and decoding.
- Features multiple built-in display interfaces, supporting multi-screen heterogeneous display.
- Boasts a powerful image processing ability with a 48MP ISP.
- Comes with a wealth of high-speed interfaces (PCIe, TYPE-C, Gigabit Ethernet), facilitating easy expansion.
- Supports Android and Linux operating systems.

■ Interface Layout



■ Product Dimension



System	SOC	4*Cortex-A76 + 4*Cortex-A55
	CPU	Rockchip RK3588
	NPU	6TOPS
	Memory	8GB
	Storage/Extension	EMMC 64GB; SSD (M.2 2280 SATA/NVME)
Video	GPU	Mali-G610
	Hardware Encoding/Decoding	JPEG Encoder/Decoder; 8K Video Encoder (H265/H264...) ; 8K 10-bits Video Decoder (H265/H264/VP9/AV1...)
	Display Interfaces	2*HDMI 2.1 ; Supports heterogeneous display; 4K resolution output, up to 8K@60HZ
Network	Ethernet	Dual-Gigabit Ethernet
	Wireless Networks	2.4G+5G Dual-band WIFI+Bluetooth
I/O	USB	2*USB3.0; 4*USB2.0
	RS232	2*RS232 (External RS485 conversion module can be installed)
	Audio	AUX3.5* headphone output + AUX3.5* microphone input
	SIM	1*SIM card slot; Supports built-in 4G/5G module
Others	Watchdog	Supports customization
	RTC	Supported
Power supply	Power Input	DC 12V - 3A
	Buttons/Indicators	Red/Green
Physical parameters	Enclosure Dimension	133*126*36.5mm
	Package Dimension	245*190*60mm
	Net Weight	0.57 KG
	Gross Weight	0.95 KG
Software	Operating System	Ubuntu22.04; Android 12; debain11;
Environment	Working Temperature	Ambient Temperature:-10~40 °C;
	Storage Temperature	Ambient Temperature:-10~40 °C;
	Working/Storage Humidity	Relative Humidity:0~85% (No Condensation) / Relative Humidity:0~85% (No Condensation)
	Certifications	CE; 3C

Product Model	SOC	Memory	Flash	LAN	RS485	RS232	HDMI	WiFi	TF	SIM
G6-RK3588	RK3588	8GB LPDDR4	64GB EMMC	2	0 (Expandable)	2	2	1	0	1

■ Packing List

Accessories	Description
Power Adapter	DC 12V - 3A
WiFi Antenna	SMA*1
VESA bracket Kit	VESE Bracket*1,Accessory Screw Pack*1,Foot pads*4
User Manual	Universal Version*1
Certificate of Conformity	Universal Version*1

■ Optional Accessories

Accessories	Description
128GB SATA SSD	S423F128G, M.2 2280 SATA3 SSD 6Gbps(Operating Temperature:0°C to 70°C)
256GB SATA SSD	S423F256G, M.2 2280 SATA3 SSD 6Gbps(Operating Temperature:0°C to 70°C)
512GB SATA SSD	S423F512G, M.2 2280 SATA3 SSD 6Gbps(Operating Temperature:0°C to 70°C)
128GB NVME SSD	XP1000F128G,M.2 2280 PCIE GEN3 SSD 8Gbps(Operating Temperature:0°C to 70°C)
256GB NVME SSD	XP1000F256G,M.2 2280 PCIE GEN3 SSD 8Gbps(Operating Temperature:0°C to 70°C)
512GB NVME SSD	XP1000F512G,M.2 2280 PCIE GEN3 SSD 8Gbps(Operating Temperature:0°C to 70°C)
4G Module Kit	Quectel EC2-EC LTE Cat4 module with a matching antenna