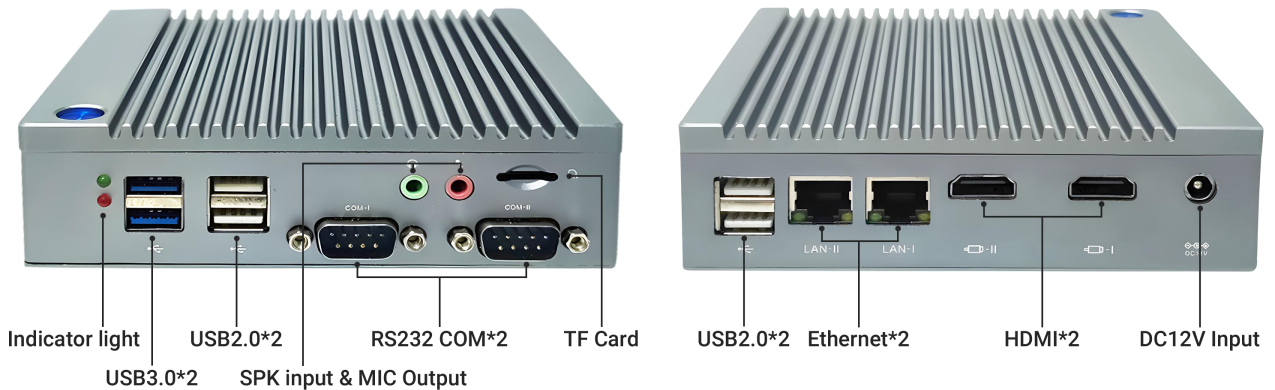




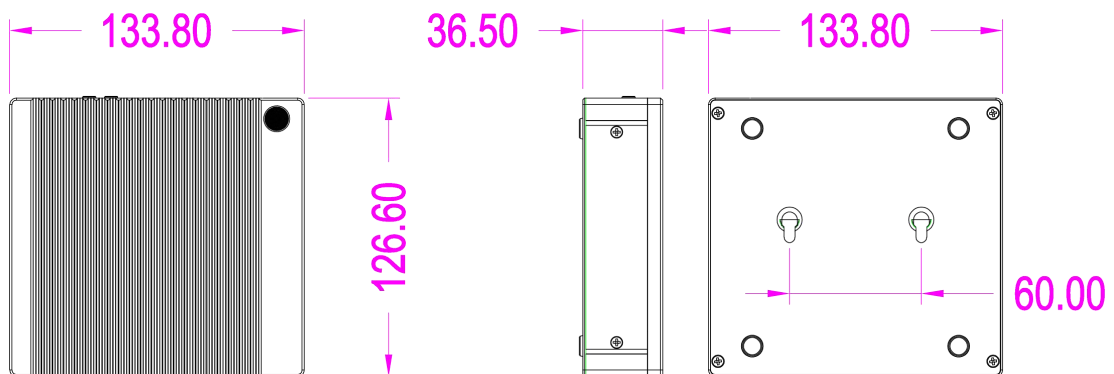
Product Features

- 6-core 64-bit architecture, high performance and low power
- Fanless design, silent and efficient
- Patented unique exterior design
- Dual HDMI outputs, high-definition display
- Dual Gigabit Ethernet & dual COM ports

Interface Layout



Product Dimension



System	SOC	Mali-T860 GPU
	CPU	RK3399
	Memory	LPDDR4 4G
	Storage & Expansion	64G eMMC
Video	GPU	Mali-T860
	Hardware Codec	Supports 4K VP9 and 4K 10-bit H.265/H.264 video decoding, up to 60fps Supports 1080P multi-format video decoding (WMV, MPEG-1/2/4, VP8) Supports 1080P video encoding, H.264, VP8 formats Video post-processing: De-interlacing, denoise, edge/detail/color optimization
	Display Interfaces	HDMI2: 1920*1080@60Hz HDMI1: 4096x2160@30Hz
Network	Ethernet	Dual Gigabit Ethernet
	Wireless Network	2.4G+5G Dual Band Wi-Fi + Bluetooth
I/O	USB	USB 3.0 *2 USB 2.0 *3
	RS232	RS232*2 (Supports external RS485 conversion module)
	Audio	AUX 3.5mm * Headphone Output + AUX 3.5mm * Microphone Input
	SIM	Supported
Others	Watchdog	Supports Customization
	RTC	Supported
Power Input	Power Input	12V 2A
	Buttons/Indicators	Red/Green
Physical Parameters	Chassis Dimensions	133 mm × 126 mm × 36 mm (5.24 in × 4.96 in × 1.42 in)
	Package Dimensions	250 mm × 190 mm × 60 mm (9.84 in × 7.48 in × 2.36 in)
	Net Weight	0.56 kg (1.23 lbs)
	Gross Weight	1.1 kg (2.43 lbs)
Software	Operating System	Android 7.1, Android 10.0, Ubuntu 18.04, UOS
Environment	Operating Temperature	-10~40°C (14~104°F)
	Storage Temperature	0 ~ 40°C (32~104°F)
	Operating/Storage Humidity	0~85%RH (Non-condensing)
	Safety Certifications	CCC, CE, ISO

Product Model	SOC	Memory	Flash	LAN	RS485	RS232	HDMI	WiFi	TF	SIM
G9	RK3399	4GB LPDDR4	64GB EMMC	2	2 (Expandable)	2	2	1	1	0

■ Packing List

Accessories	Description
Power Adapter	DC 12V - 2A
WiFi Antenna	SMA *1
VESA Mount Kit	Wall Mount Bracket *1, Accessory Screw Package *1, Foot Pads *4
User Manual	Universal Type *1
Certificate of Compliance	Universal Type *1

■ Optional Accessories

Accessories	Description
128GB eMMC	Customizable
256GB eMMC	Customizable
512GB eMMC	Customizable